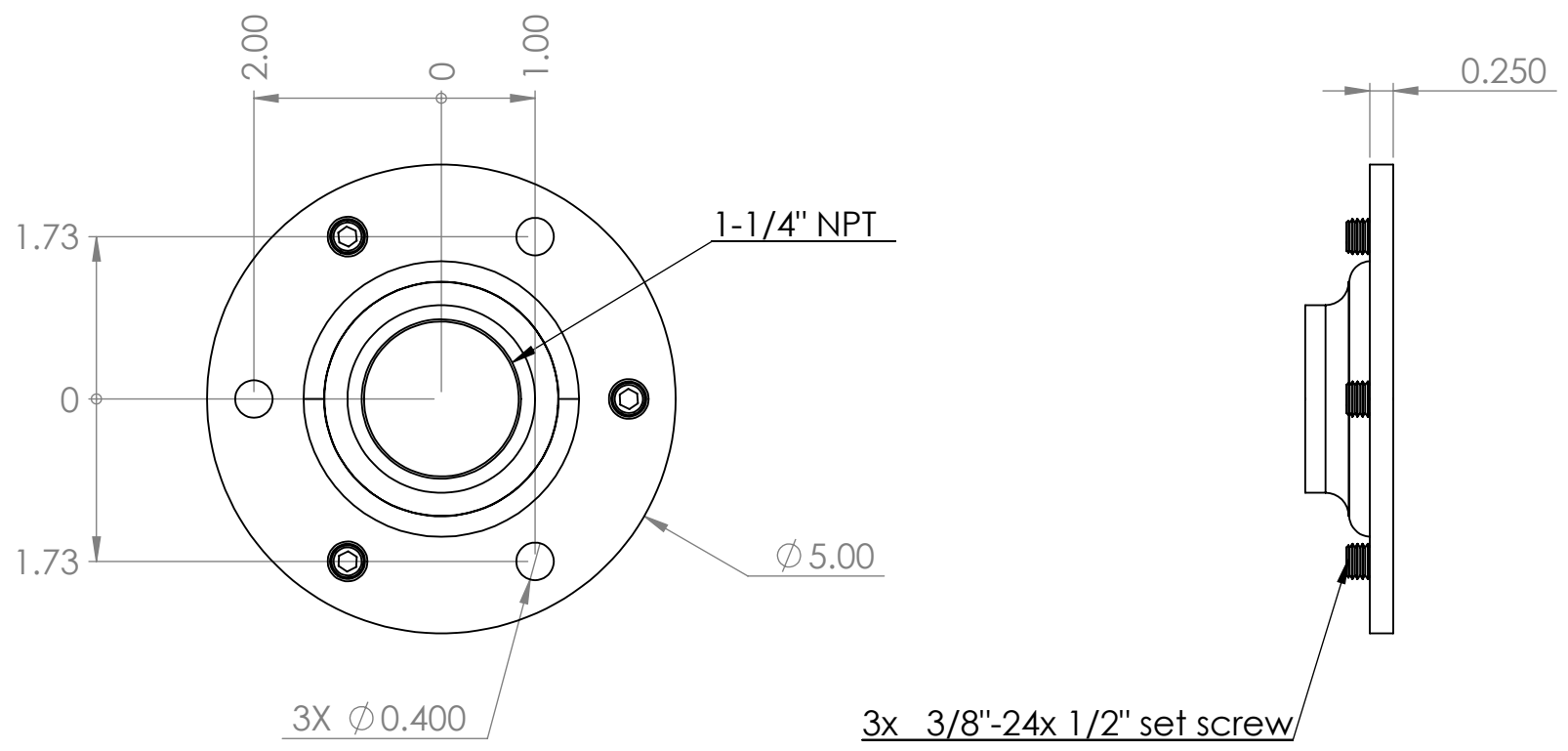


alternative layout



# "STANDARD ETA MOUNTING BASE"